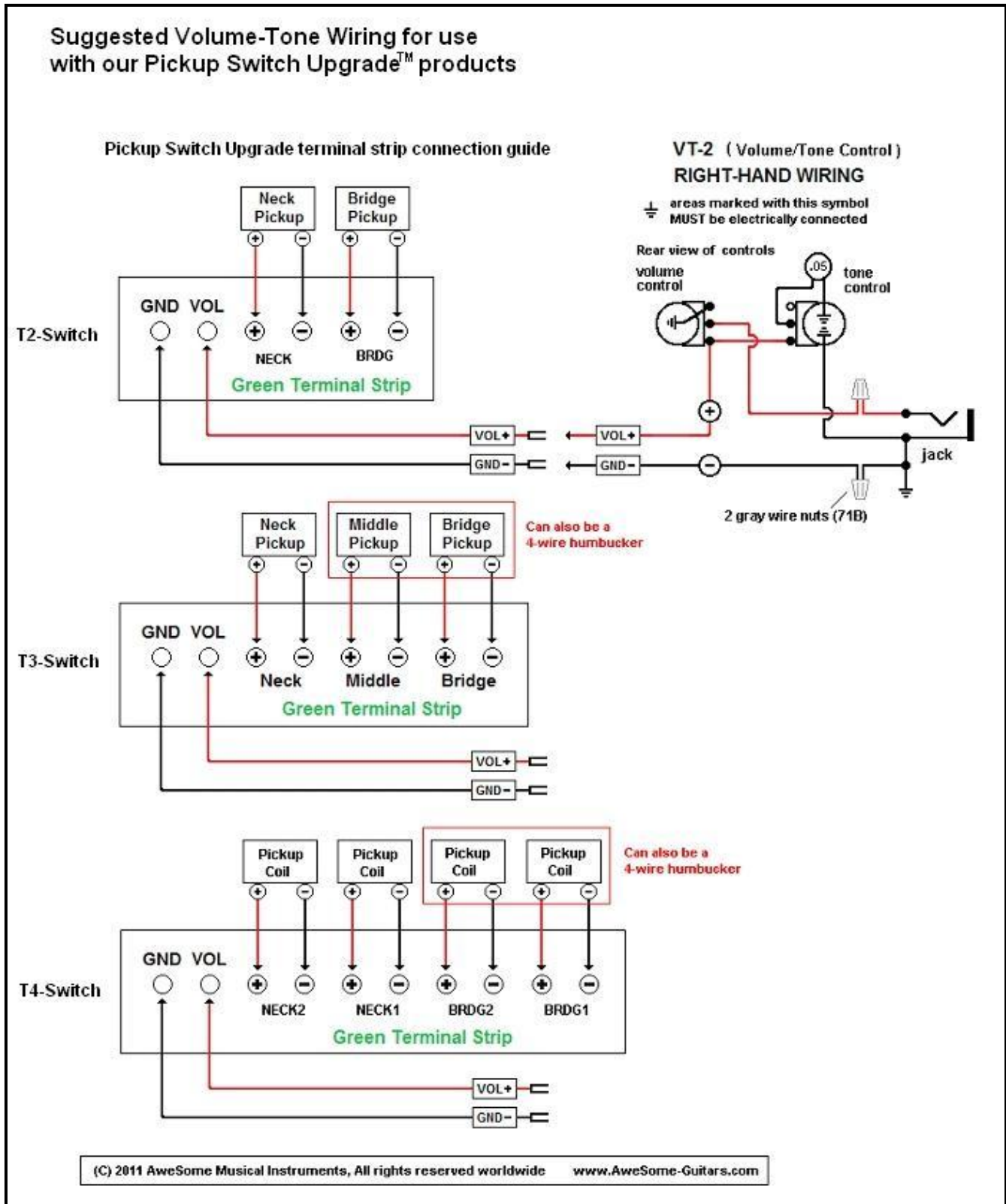


This document shows how our Volume-Tone control products are wired and how they are connected to our *high performance Pickup Switch Upgrade™* products. Wiring is shown for right-hand use. The following shows our **VT-2** (500K audio-taper separate pots) for Strat, Tele and other instruments. Our **VT-3** and **VT-4** controls are wired similarly. For other wiring details, go to <http://www.AweSome-Guitars.com/docs>



The following shows the wiring for our **VT-1** (500K audio-taper, stacked pot) for Jazz Bass or other instrument upgrades with limited body cavity space. The VT-1 is wired so the Volume pot is associated with the larger diameter control knob for easier volume swells.

