

# How You Get 68 Pickup Tones Using Our T4-Switch Upgrade (REV E1)

**T4-SWITCH LEGEND** (switch information on this page is for Right Hand use)

**BRDG Control Switches:**

SW1 is Down = coil on, normal phase  
 SW1 is Up = coil on, reverse phase  
 SW2 is Down = coil on, normal phase  
 SW2 is Up = coil on, reverse phase  
 S5B is Up = puts both bridge coils in series  
 When S5B is down = coils are in parallel

SW1 & SW2 are on-off-on Phase switches  
 (Down=coil on/reg., Up=coil on/rev. phase)  
 S5B is an on-on Connection switch

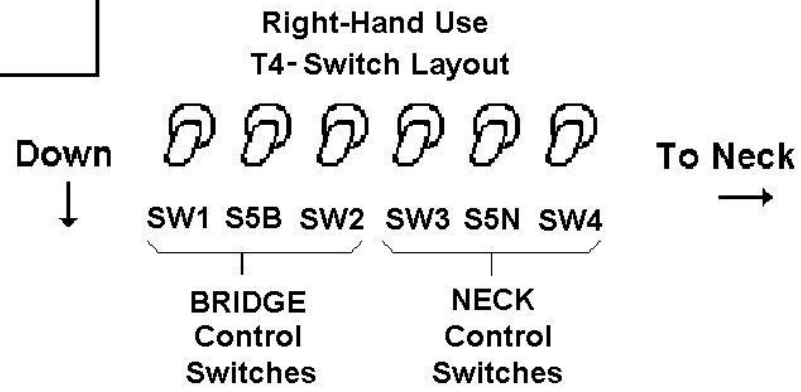
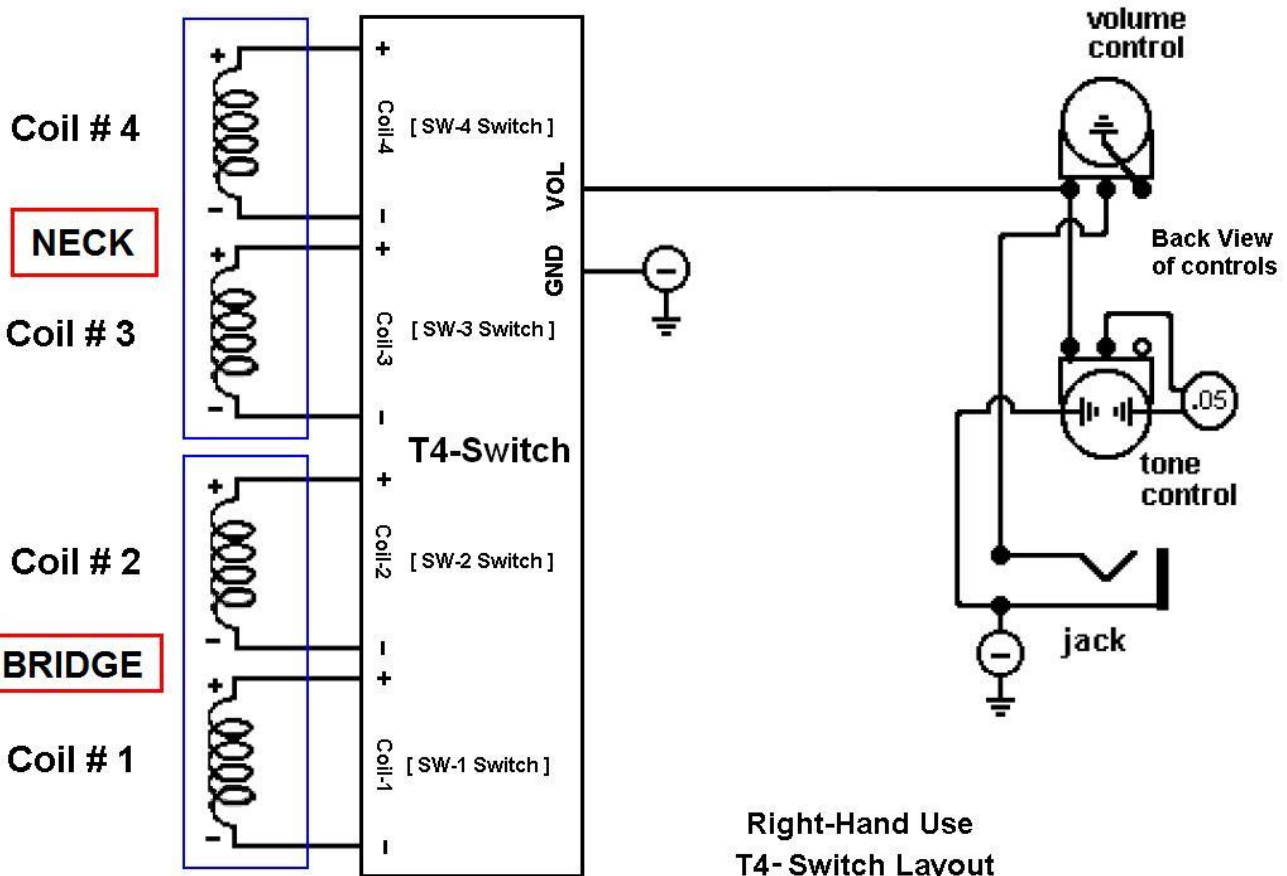
**NECK Control Switches:**

SW3 is Down = coil on, normal phase  
 SW3 is Up = coil on, reverse phase  
 SW4 is Down = coil on, normal phase  
 SW4 is Up = coil on, reverse phase  
 S5N is Up = puts both neck coils in series  
 When S5N is down = coils are in parallel

SW3 & SW4 are on-off-on Phase switches  
 (Down=coil on/reg., Up=coil on/rev. phase)  
 S5N is an on-on Connection switch

## Pickup Switch Upgrade™ T4-Switch product gives you 68 pure analog pickup tones from your upgraded instrument.

This product is designed for instruments with two 4-wire humbucker pickups, or instruments with one 4-wire humbucker and two single-coil pickups, or instruments with four single-coil pickups.



**Switching Proof Table** to get 68 Pickup Tones from instruments with two 4-wire humbuckers, instruments with one 4-wire humbucker and two single-coils, or instruments with four single-coil pickup instruments with our T4 Pickup Switch Upgrade product.

(note that 2-wire humbuckers can be used where single-coil pickups are specified)

Switch legend for **SW1, SW2, SW3** and **SW4**: D = Down, U = Up, no symbol is Off (center position)

Switch legend for **S5B** and **S5N**: U = Up, no symbol is **Down**

**ALL coils that are in series MUST be on to produce sound.**

(also see documents #3, #4, #5, #6 and #C in our Document Library at [www.AweSome-Guitars.com](http://www.AweSome-Guitars.com))

**Important Notes:**

1. Switch positions are for a **Right Hand** instrument installation.
2. The **S5B, S5N** switches are **Down** (in the parallel position) by default.
3. The **SW1, SW2, SW3** and **SW4** switches control pickup connections. Down position is normal phase, Up position is reverse phase. Center position is Off.

**SWITCH COMBINATIONS USED BY T4-SWITCH**

##	NECK Control			BRDG Control			##	NECK Control			BRDG Control		
	SW4	S5N	SW3	SW2	S5B	SW1		SW4	S5N	SW3	SW2	S5B	SW1
Fav-1	—	—	—	—	—	—	33.	D		D		U	
Fav-2	—	—	—	—	—	—	34.	U		D		U	
Fav-3	—	—	—	—	—	—	35.	D	U	D		U	
							36.	U	U	D		U	
1.						D	37.			D	D	D	
2.				D			38.	D			D	D	
3.				D		D	39.			U	D	D	
4.				U		D	40.	U			D	D	
5.				D	U	D	41.	D		D	D	D	
6.				U	U	D	42.	U		D	D	D	
7.			D				43.	D	U	D	D	D	
8.	D						44.	U	U	D	D	D	
9.	D		D				45.			D	U	D	
10.	U		D				46.	D			U	D	
11.	D	U	D				47.			U	U	D	
12.	U	U	D				48.	U			U	D	
13.			D			D	49.	D		D	U	D	
14.	D					D	50.	U		D	U	D	
15.			U			D	51.	D	U	D	U	D	
16.	U					D	52.	U	U	D	U	D	
17.	D		D			D	53.			D	D	U	D
18.	U		D			D	54.	D			D	U	D
19.	D	U	D			D	55.			U	D	U	D
20.	U	U	D			D	56.	U			D	U	D
21.	D		D			U	57.	D		D	D	U	D
22.	U		D			U	58.	U		D	D	U	D
23.	D	U	D			U	59.	D	U	D	D	U	D
24.	U	U	D			U	60.	U	U	D	D	U	D
25.			D	D			61.			D	U	U	D
26.	D			D			62.	D			U	U	D
27.			U	D			63.			U	U	U	D
28.	U			D			64.	U			U	U	D
29.	D		D	D			65.	D		D	U	U	D
30.	U		D	D			66.	U		D	U	U	D
31.	D	U	D	D			67.	D	U	D	U	U	D
32.	U	U	D	D			68.	U	U	D	U	U	D

Use this worksheet to write down what each pickup tone sounds like to you personally.

## Your description of the pickup sound

**Fav-1** \_\_\_\_\_  
**Fav-2** \_\_\_\_\_  
**Fav-3** \_\_\_\_\_

1. \_\_\_\_\_
2. \_\_\_\_\_
3. \_\_\_\_\_
4. \_\_\_\_\_
5. \_\_\_\_\_
6. \_\_\_\_\_
7. \_\_\_\_\_
8. \_\_\_\_\_
9. \_\_\_\_\_
10. \_\_\_\_\_
11. \_\_\_\_\_
12. \_\_\_\_\_
13. \_\_\_\_\_
14. \_\_\_\_\_
15. \_\_\_\_\_
16. \_\_\_\_\_
17. \_\_\_\_\_
18. \_\_\_\_\_
19. \_\_\_\_\_
20. \_\_\_\_\_
21. \_\_\_\_\_
22. \_\_\_\_\_
23. \_\_\_\_\_
24. \_\_\_\_\_
25. \_\_\_\_\_
26. \_\_\_\_\_
27. \_\_\_\_\_
28. \_\_\_\_\_
29. \_\_\_\_\_
30. \_\_\_\_\_
31. \_\_\_\_\_
32. \_\_\_\_\_

## Your description of the pickup sound

33. \_\_\_\_\_
34. \_\_\_\_\_
35. \_\_\_\_\_
36. \_\_\_\_\_
37. \_\_\_\_\_
38. \_\_\_\_\_
39. \_\_\_\_\_
40. \_\_\_\_\_
41. \_\_\_\_\_
42. \_\_\_\_\_
43. \_\_\_\_\_
44. \_\_\_\_\_
45. \_\_\_\_\_
46. \_\_\_\_\_
47. \_\_\_\_\_
48. \_\_\_\_\_
49. \_\_\_\_\_
50. \_\_\_\_\_
51. \_\_\_\_\_
52. \_\_\_\_\_
53. \_\_\_\_\_
54. \_\_\_\_\_
55. \_\_\_\_\_
56. \_\_\_\_\_
57. \_\_\_\_\_
58. \_\_\_\_\_
59. \_\_\_\_\_
60. \_\_\_\_\_
61. \_\_\_\_\_
62. \_\_\_\_\_
63. \_\_\_\_\_
64. \_\_\_\_\_
65. \_\_\_\_\_
66. \_\_\_\_\_
67. \_\_\_\_\_
68. \_\_\_\_\_

# How You Get 68 Pickup Tones Using Our T4-Switch Upgrade (REV E1)

**T4-SWITCH LEGEND** (switch information on this page is for Left Hand use)

**BRDG Control Switches:**

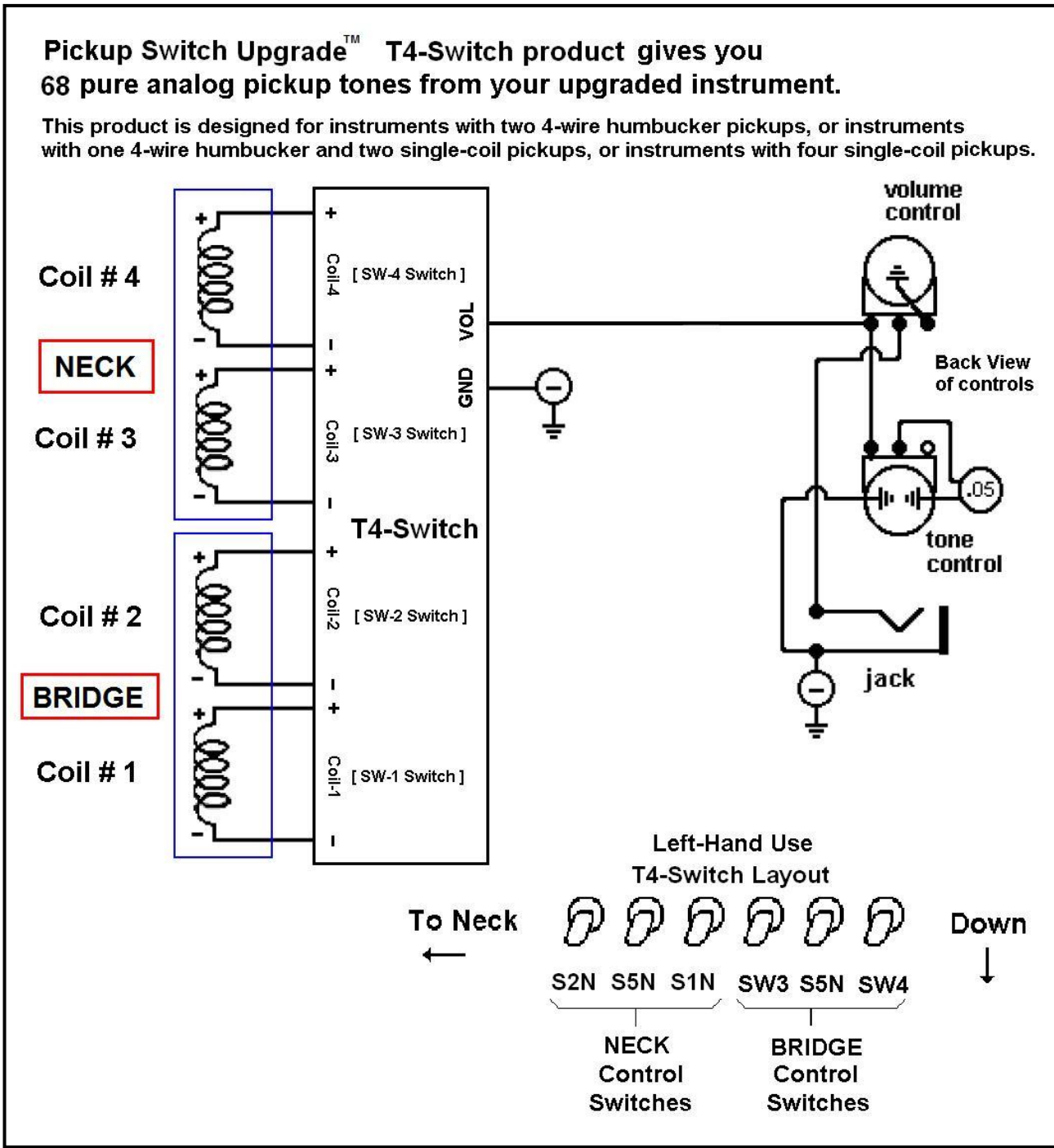
**SW1** is Down = coil on, normal phase  
**SW1** is Up = coil on, reverse phase  
**SW2** is Down = coil on, normal phase  
**SW2** is Up = coil on, reverse phase  
**S5B** is Down = puts both bridge coils in series  
 When **S5B** is up = coils are in parallel

**SW1** & **SW2** are on-off-on *Phase* switches  
 (Down=coil on/reg., Up=coil on/rev. phase)  
**S5B** is an on-on *Connection* switch

**NECK Control Switches:**

**SW3** is Down = coil on, normal phase  
**SW3** is Up = coil on, reverse phase  
**SW4** is Down = coil on, normal phase  
**SW4** is Up = coil on, reverse phase  
**S5N** is Down = puts both neck coils in series  
 When **S5N** is up = coils are in parallel

**SW3** & **SW4** are on-off-on *Phase* switches  
 (Down=coil on/reg., Up=coil on/rev. phase)  
**S5N** is an on-on *Connection* switch



**Switching Proof Table** to get 68 Pickup Tones from instruments with two 4-wire humbuckers, instruments with one 4-wire humbucker and two single-coils, or instruments with four single-coil pickup instruments with our Pickup Tone Multiplier T4-Board.

(note that 2-wire humbuckers can be used where single-coil pickups are specified)

Switch legend for **SW1, SW2, SW3** and **SW4**: D = Down, U = Up, no symbol is Off (center position)

Switch legend for **S5B** and **S5N**: D = Down, no symbol is **Up**

**ALL coils that are in series MUST be on to produce sound.**

(also see documents #3, #4, #5, #6 and #C in our Document Library at [www.AweSome-Guitars.com](http://www.AweSome-Guitars.com))

**Important Notes:**

1. Switch positions are for a **Left Hand** instrument installation.
2. The **S5B, S5N** switches are **Up** (in the parallel position) by default.
3. The **SW1, SW2, SW3** and **SW4** switches control pickup connections. Down position is normal phase, Up position is reverse phase. Center position is Off.

SWITCH COMBINATIONS USED BY T4-SWITCH

##	BRDG Control			NECK Control		
	SW1	S5B	SW2	SW3	S5N	SW4
Fav-1	—	—	—	—	—	—
Fav-2	—	—	—	—	—	—
Fav-3	—	—	—	—	—	—
1.	D					
2.			D			
3.	D		D			
4.	D		U			
5.	D	D	D			
6.	D	D	U			
7.				D		
8.						D
9.				D		D
10.				D		U
11.				D	D	D
12.				D	D	U
13.	D			D		
14.	D					D
15.	D			U		
16.	D					U
17.	D			D		D
18.	D			D		U
19.	D			D	D	D
20.	D			D	D	U
21.	U			D		D
22.	U			D		U
23.	U			D	D	D
24.	U			D	D	U
25.		D		D		
26.		D				D
27.		D		U		
28.		D				U
29.		D		D		D
30.		D		D		U
31.		D		D	D	D
32.		D		D	D	U

##	BRDG Control			NECK Control		
	SW1	S5B	SW2	SW3	S5N	SW4
33.			U	D		D
34.			U	D		U
35.			U	D	D	D
36.			U	D	D	U
37.	D		D	D		
38.	D		D			D
39.	D		D	U		
40.	D		D			U
41.	D		D	D		D
42.	D		D	D		U
43.	D		D	D	D	D
44.	D		D	D	D	U
45.	D		U	D		
46.	D		U			D
47.	D		U	U		
48.	D		U			U
49.	D		U	D		D
50.	D		U	D		U
51.	D		U	D	D	D
52.	D		U	D	D	U
53.	D	D	D	D		
54.	D	D	D			D
55.	D	D	D	U		
56.	D	D	D			U
57.	D	D	D	D		D
58.	D	D	D	D		U
59.	D	D	D	D	D	D
60.	D	D	D	D	D	U
61.	D	D	U	D		
62.	D	D	U			D
63.	D	D	U	U		
64.	D	D	U			U
65.	D	D	U	D		D
66.	D	D	U	D		U
67.	D	D	U	D	D	D
68.	D	D	U	D	D	U