

How You Get 35 Pickup Tones Using Our T3 Pickup Switch Upgrade Product

T3-SWITCH LEGEND (switch information for Right Hand use)

Pickup Phase Switches:

SW1, SW2, SW3 are on-off-on Phase switches

Each switch controls one pickup coil in normal phase (Down) or reverse phase (Up) The Center position of the switch is Off

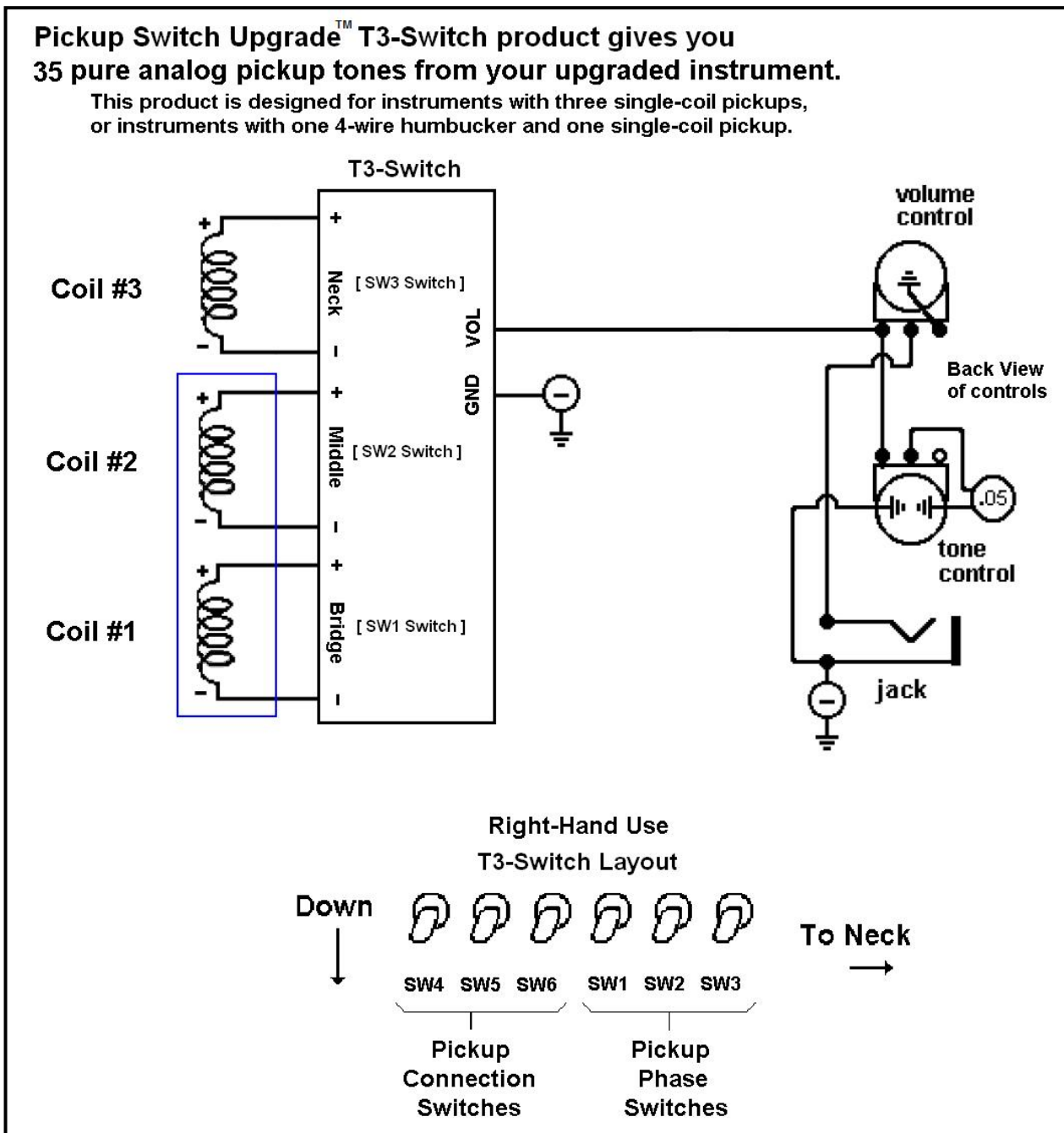
- SW1 Controls the Bridge Pickup (coil #1)
- SW2 Controls the Middle Pickup (coil #2)
- SW3 Controls the Neck Pickup (coil #3)

Pickup Connection Switches:

SW4, SW5, SW6 are on-on Connection switches These three switches are Down by default (to put all pickup coils in parallel connection)

- When SW4 is Up (puts coils 1 & 2 in series)
 - When SW5 is Up (puts coils 1 & 3 in series)
 - When SW6 is Up (puts coils 2 & 3 in series)
 - When SW4 & SW6 Up (puts all coils in series)
- ALL pickup coils that are in series MUST be on to produce sound.**

© 2011 AweSome Musical Instruments, All rights reserved worldwide
www.awesome-guitars.com



Switching Proof Table (for right hand use) to get 35 Pickup Tones from instruments with three single-coil pickups, or instruments with one 4-wire humbucker and one single-coils, or instruments with four single-coil pickup instruments with our T3 Pickup Switch Upgrade. (note that 2-wire humbuckers can be used where single-coil pickups are specified)

Switch legend for **SW1**, **SW2** and **SW3**: D = Down, U = Up, no symbol is Off (center position)
 Switch Legend for **SW4**, **SW5** and **SW6**: U = UP, no symbol is Down

(also see documents #3, #4, #5, #6 and #B in our Document Library at www.AweSome-Guitars.com)

The following switch numbers will give you the stock 5 Stratocaster pickup tones.
 1-Bridge, 4-Bridge+Middle (Parallel), 2-Middle, 8-Neck+Middle (Parallel), 3-Neck

SWITCH COMBINATIONS USED BY T3-SWITCH

##	<u>SW3</u>	<u>SW2</u>	<u>SW1</u>	<u>SW6</u>	<u>SW5</u>	<u>SW4</u>	##	Your description of the pickup sound
Fav-1	---	---	---	---	---	---	Fav-1	_____
Fav-2	---	---	---	---	---	---	Fav-2	_____
Fav-3	---	---	---	---	---	---	Fav-2	_____
1.			D				1.	_____
2.		D					2.	_____
3.	D						3.	_____
4.		D	D				4.	_____
5.		U	D				5.	_____
6.	D		D				6.	_____
7.	U		D				7.	_____
8.	D	D					8.	_____
9.	U	D					9.	_____
10.	D	D	D				10.	_____
11.	U	D	D				11.	_____
12.	D	U	D				12.	_____
13.	U	U	D				13.	_____
14.		D	D			U	14.	_____
15.		U	D			U	15.	_____
16.	D	D	D			U	16.	_____
17.	D	U	D			U	17.	_____
18.	U	D	D			U	18.	_____
19.	U	U	D			U	19.	_____
20.	D		D		U		20.	_____
21.	U		D		U		21.	_____
22.	D	D	D		U		22.	_____
23.	U	D	D		U		23.	_____
24.	D	U	D		U		24.	_____
25.	U	U	D		U		25.	_____
26.	D	D		U			26.	_____
27.	U	D		U			27.	_____
28.	D	D	D	U			28.	_____
29.	U	D	D	U			29.	_____
30.	D	D	U	U			30.	_____
31.	U	D	U	U			31.	_____
32.	D	D	D	U		U	32.	_____
33.	U	D	D	U		U	33.	_____
34.	D	U	D	U		U	34.	_____
35.	U	U	D	U		U	35.	_____

How You Get 35 Pickup Tones Using Our T3 Pickup Switch Upgrade Product

T3-SWITCH LEGEND (switch information for Left Hand use)

Pickup Phase Switches:

SW1, SW2, SW3 are on-off-on Phase switches

Each switch controls one pickup coil in normal phase (Down) or reverse phase (Up) The Center position of the switch is Off

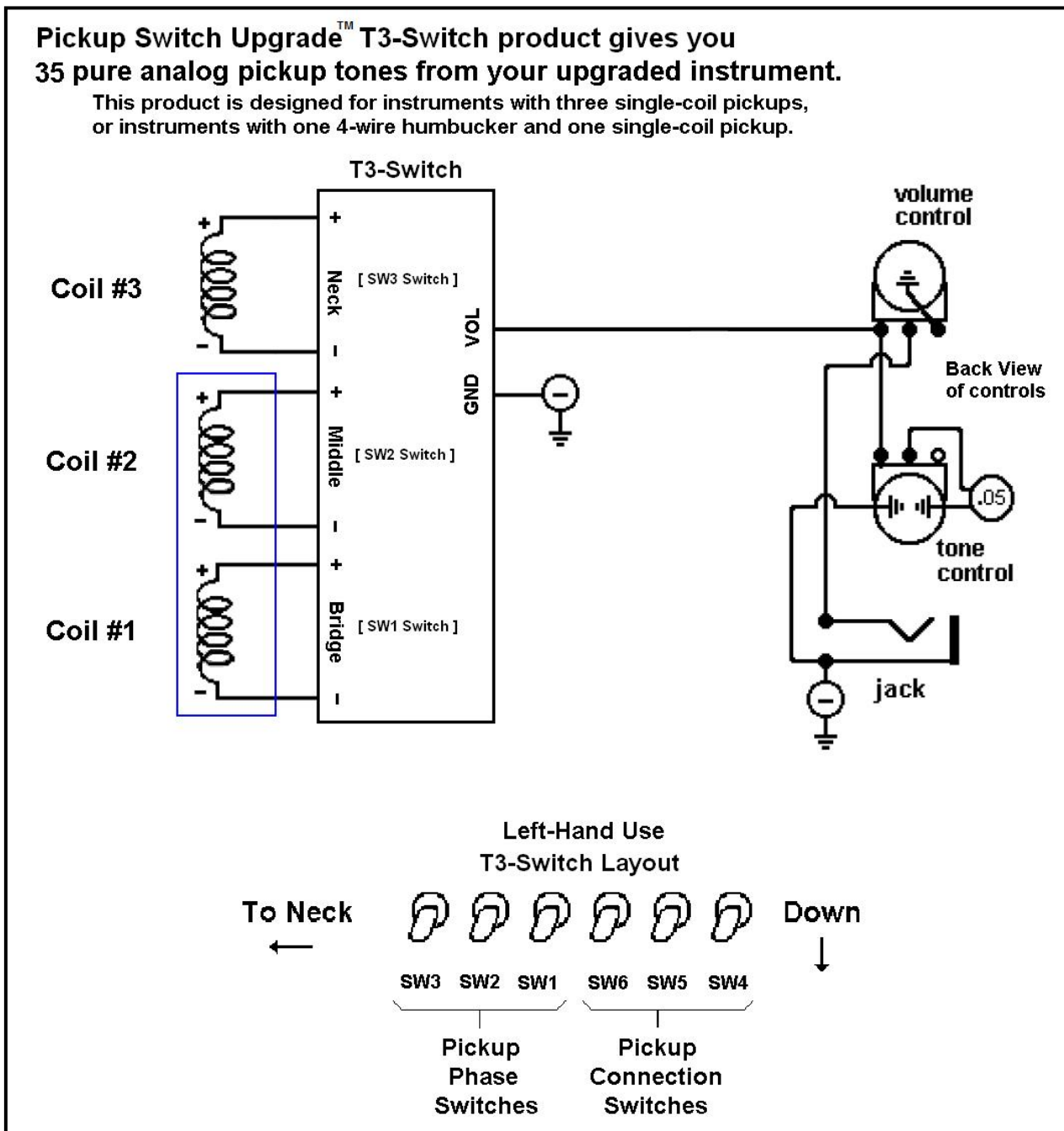
- SW1 Controls the Bridge Pickup (coil #1)
- SW2 Controls the Middle Pickup (coil #2)
- SW3 Controls the Neck Pickup (coil #3)

Pickup Connection Switches:

SW4, SW5, SW6 are on-on Connection switches These three switches are Up by default (to put all pickup coils in parallel connection)

- When SW4 is Down (puts coils 1 & 2 in series)
 - When SW5 is Down (puts coils 1 & 3 in series)
 - When SW6 is Down (puts coils 2 & 3 in series)
 - When SW4 & SW6 Down (puts all coils in series)
- ALL pickup coils that are in series MUST be on to produce sound.**

© 2011 AweSome Musical Instruments, All rights reserved worldwide
www.awesome-guitars.com



Switching Proof Table (for left hand use) to get 35 Pickup Tones from instruments with three single-coil pickups, or instruments with one 4-wire humbucker and one single-coils, or instruments with four single-coil pickup instruments with our T3 Pickup Switch Upgrade. (note that 2-wire humbuckers can be used where single-coil pickups are specified)

Switch legend for **SW1**, **SW2** and **SW3**: D = Down, U = Up, no symbol is Off (center position)
 Switch Legend for **SW4**, **SW5** and **SW6**: D = Down, no symbol is Up

(also see documents #3, #4, #5, #6 and #B in our Document Library at www.AweSome-Guitars.com)

The following switch numbers will give you the stock 5 Stratocaster pickup tones.
 1-Bridge, 4-Bridge+Middle (Parallel), 2-Middle, 8-Neck+Middle (Parallel), 3-Neck

SWITCH COMBINATIONS USED BY T3-SWITCH

##	<u>SW4</u>	<u>SW5</u>	<u>SW6</u>	<u>SW1</u>	<u>SW2</u>	<u>SW3</u>	##	Your description of the pickup sound
Fav-1	---	---	---	---	---	---	Fav-1	_____
Fav-2	---	---	---	---	---	---	Fav-2	_____
Fav-3	---	---	---	---	---	---	Fav-3	_____
1.				D			1.	_____
2.					D		2.	_____
3.						D	3.	_____
4.				D	D		4.	_____
5.				D	U		5.	_____
6.				D		D	6.	_____
7.				D		U	7.	_____
8.					D	D	8.	_____
9.					D	U	9.	_____
10.				D	D	D	10.	_____
11.				D	D	U	11.	_____
12.				D	U	D	12.	_____
13.				D	U	U	13.	_____
14.	D			D	D		14.	_____
15.	D			D	U		15.	_____
16.	D			D	D	D	16.	_____
17.	D			D	U	D	17.	_____
18.	D			D	D	U	18.	_____
19.	D			D	U	U	19.	_____
20.		D		D		D	20.	_____
21.		D		D		U	21.	_____
22.		D		D	D	D	22.	_____
23.		D		D	D	U	23.	_____
24.		D		D	U	D	24.	_____
25.		D		D	U	U	25.	_____
26.			D		D	D	26.	_____
27.			D		D	U	27.	_____
28.			D	D	D	D	28.	_____
29.			D	D	D	U	29.	_____
30.			D	U	D	D	30.	_____
31.			D	U	D	U	31.	_____
32.	D		D	D	D	D	32.	_____
33.	D		D	D	D	U	33.	_____
34.	D		D	D	U	D	34.	_____
35.	D		D	D	U	U	35.	_____