

# Using Our T3-Switch With Two Pickup Coils

updated: January 16, 2014

Our T3-Switch can be temporarily used with two pickup coils when you anticipate installing a third pickup coil. Doing so will give you 6 pickup tones until the third pickup coil is added to produce 35 pickup tones. With two pickup coils, the following switch use is required.

## T3-SWITCH LEGEND (switch information for Right Hand use)

### Pickup Phase Switches:

**SW1, SW2, SW3** are on-off-on *Phase* switches

Each switch controls one pickup coil in normal phase (Down) or reverse phase (Up)  
The Center position of the switch is Off

**SW1** Controls the Bridge Pickup (coil #1)

**SW2** **MUST be Off**

**SW3** Controls the Neck Pickup (coil #3)

### Pickup Connection Switches:

**SW4, SW5, SW6** are on-on Connection switches

When these three switches are Down, it puts all pickup coils into a parallel connection

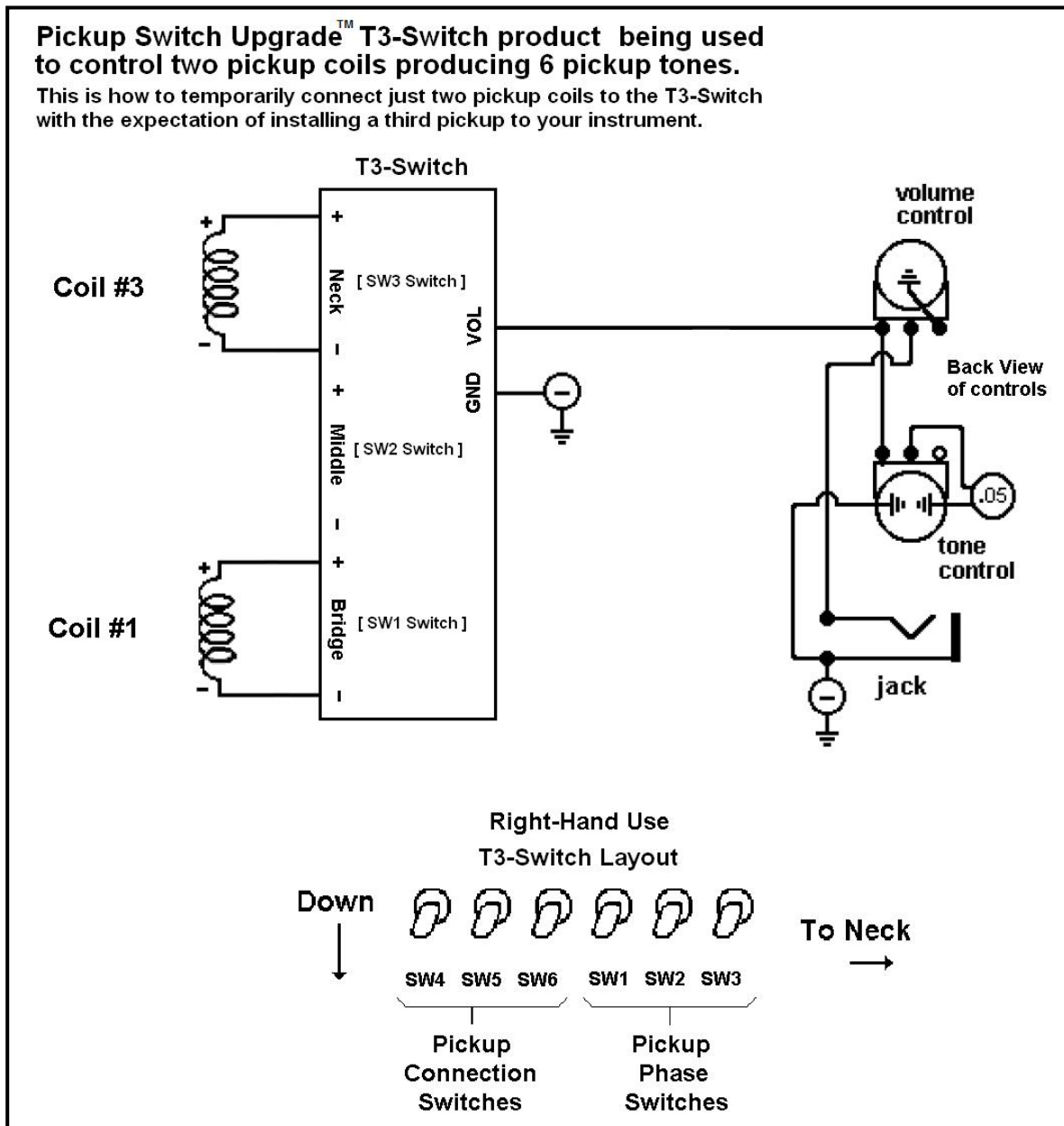
**SW4** **MUST be down**

When **SW5** is Up (puts coils 1 & 3 in series)

**SW6** **MUST be down**

**ALL** pickup coils that are in series **MUST be ON** to produce sound.

© 2014 AweSome Musical Instruments, All rights reserved worldwide  
www.awesome-guitars.com



Switching Proof Table (for right hand use) using our T3-Switch with only two pickup coils.

The required T3-Switch use for controlling two pickup coils is presented below.

Switch legend for **SW1**, **SW2** and **SW3**: D = Down, U = Up, no symbol is Off (center position)

Switch Legend for **SW4**, **SW5** and **SW6**: U = UP, no symbol is Down

Switch SW4 and SW6 MUST be DOWN.

SWITCH COMBINATIONS USED BY T3-SWITCH

<u>##</u>	<u>SW3</u>	<u>SW2</u>	<u>SW1</u>	<u>SW6</u>	<u>SW5</u>	<u>SW4</u>
1.			D			
2.	D					
3.	D		D			
4.	U		D			
5.	D		D		U	
6.	U		D		U	

## Your description of the pickup sound

1. \_\_\_\_\_
2. \_\_\_\_\_
3. \_\_\_\_\_
4. \_\_\_\_\_
5. \_\_\_\_\_
6. \_\_\_\_\_